

WME100AV-W | Back Mount Anti Vibration Wall Bracket



A versatile bracket with offset, tilt and swivel adjustment

- Bracket fixes to back of speaker
- Bracket mounts to wall
- Easily variable wall to speaker distance
- Anti vibration mounting reduces noise transmission

Compatible with manufacturer/model:

- Generic

Materials of construction: Powder coated mild steel

Max weight (kg): 18.00

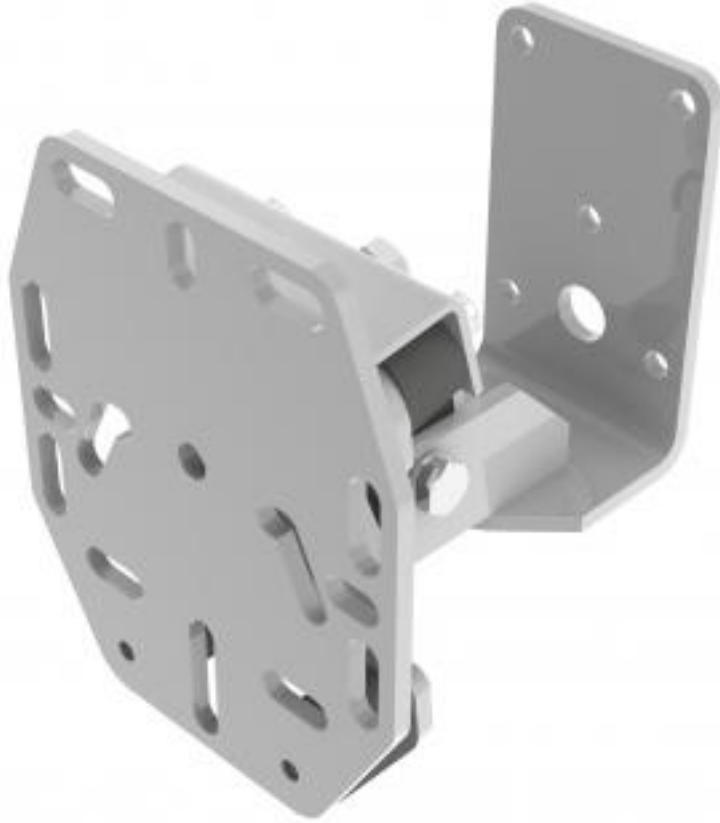
Manufacturing address:

Powerdrive Drum Company Ltd • Unit M1 Cherrycourt Way • Stanbridge Road
Leighton Buzzard • Bedfordshire • LU7 4UH • UK
T: +44 (0)1525 370292 • F: +44 (0)1525 852126

www.mypowerdrive.com • E&OE • All rights reserved • Powerdrive Drum Company Ltd 2015



WME100AV-W | Back Mount Anti Vibration Wall Bracket



Product category:	WALL
W L H/D (mm):	149.00 156/175 181.00
Shipping weight (gms):	3,260
Mount position:	Back
Mount type:	Powerdrive Type 90-100
Bracket location:	Wall
Drop (mm)	N/A
Girder span (mm):	N/A
Swivel rotation angle:	150 °
Tilt angle:	30 °

Manufacturing address:
Powerdrive Drum Company Ltd • Unit M1 Cherrycourt Way • Stanbridge Road
Leighton Buzzard • Bedfordshire • LU7 4UH • UK
T: +44 (0)1525 370292 • F: +44 (0)1525 852126

www.mypowerdrive.com • E&OE • All rights reserved • Powerdrive Drum Company Ltd 2015

